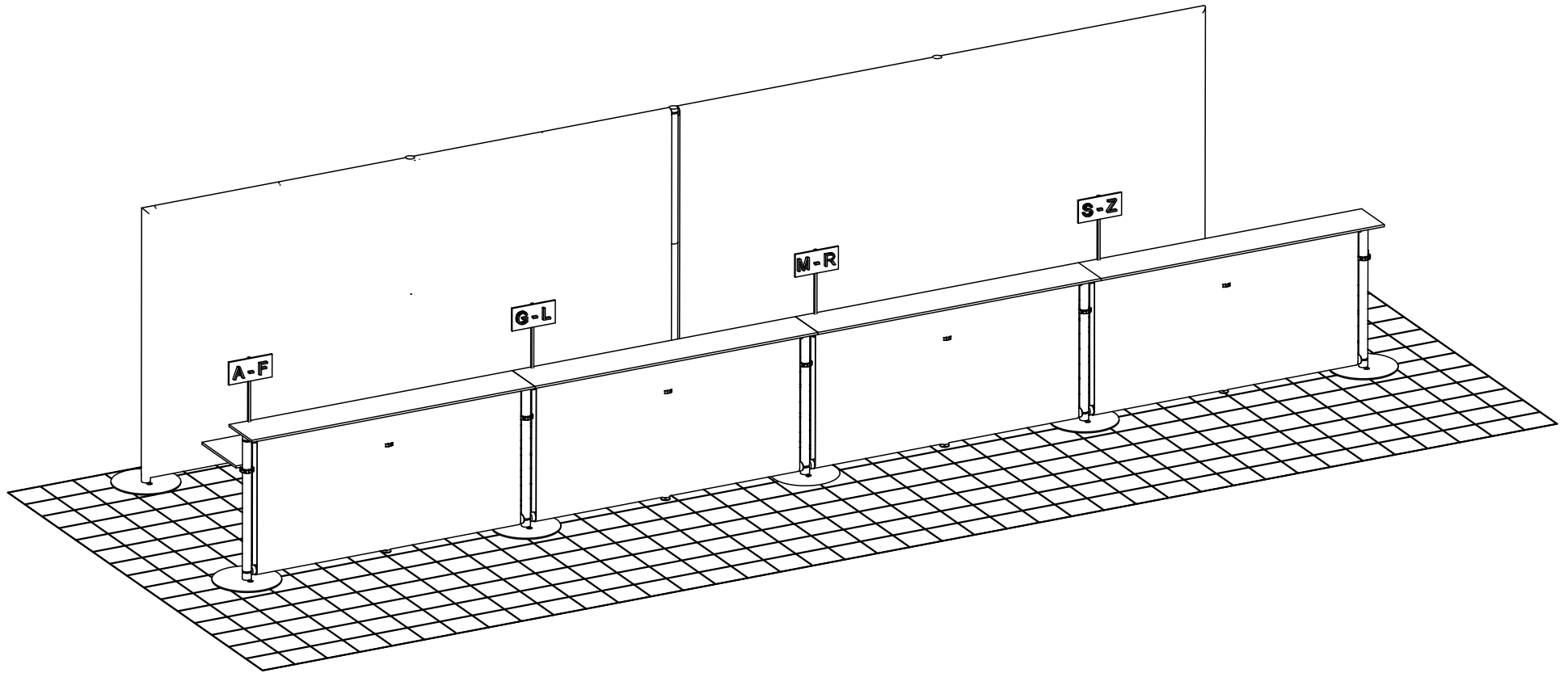


GRID SIZE: 10' x 20'

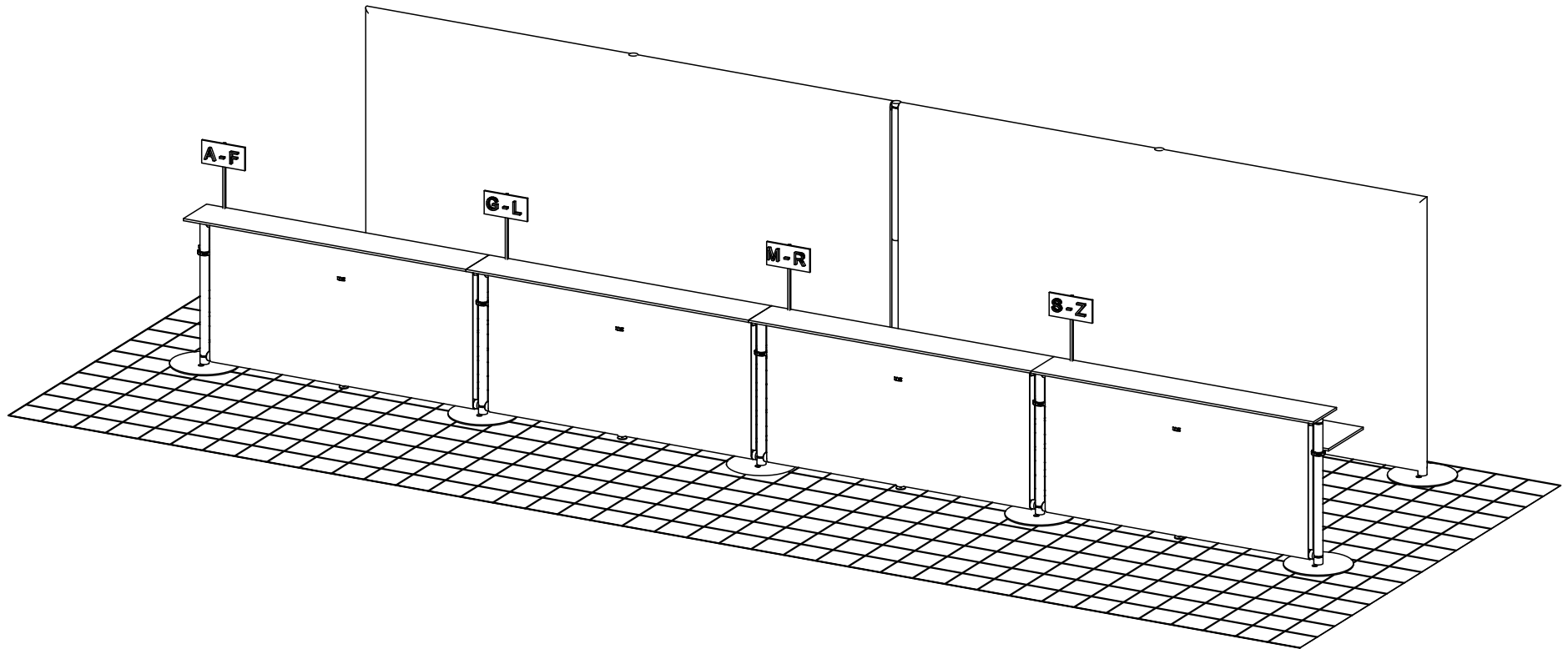


Skyline

©2004 Skyline Exhibits

Tag Name: Target	Dist. #	Project	Rev #	ActRep/Pm	Drawn By: bcb
	452	p	b	dxs	
ID/Order #: 325248	Rep. / Mgr.:			Date: 4/12/2005 9:15 AM	

GRID SIZE: 10' x 20'



Skyline

Tag Name: Target

ID/Order #: 325248

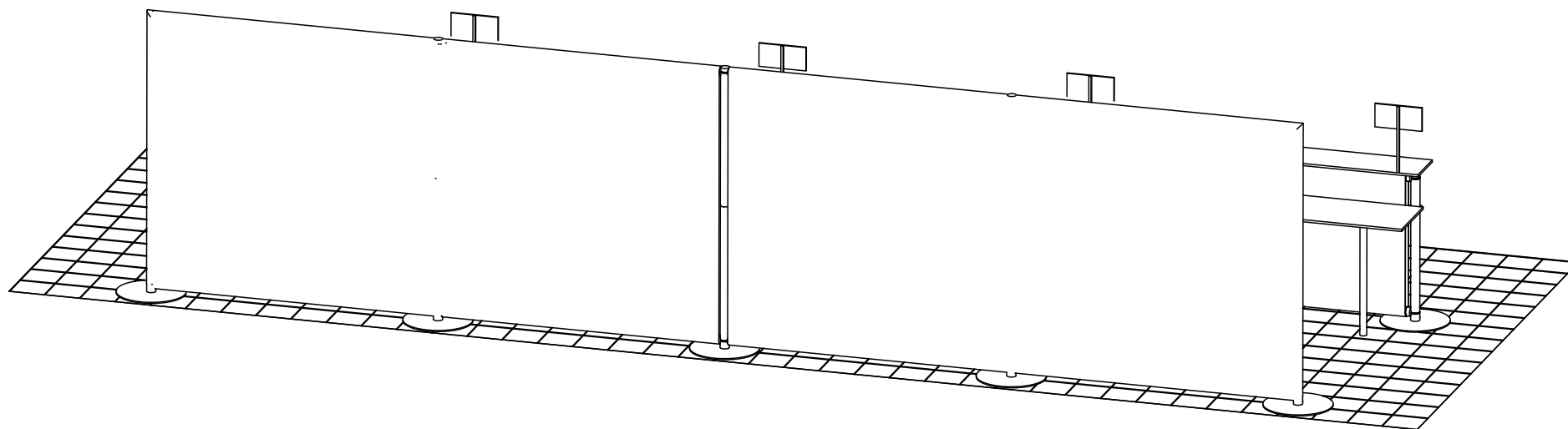
Dist. #	Project	Rev #	ActRep/Pm
452	p	b	dx

Drawn By: bcb

Rep. / Mgr.:

Date: 4/12/2005 9:15 AM

GRID SIZE: 10' x 20'

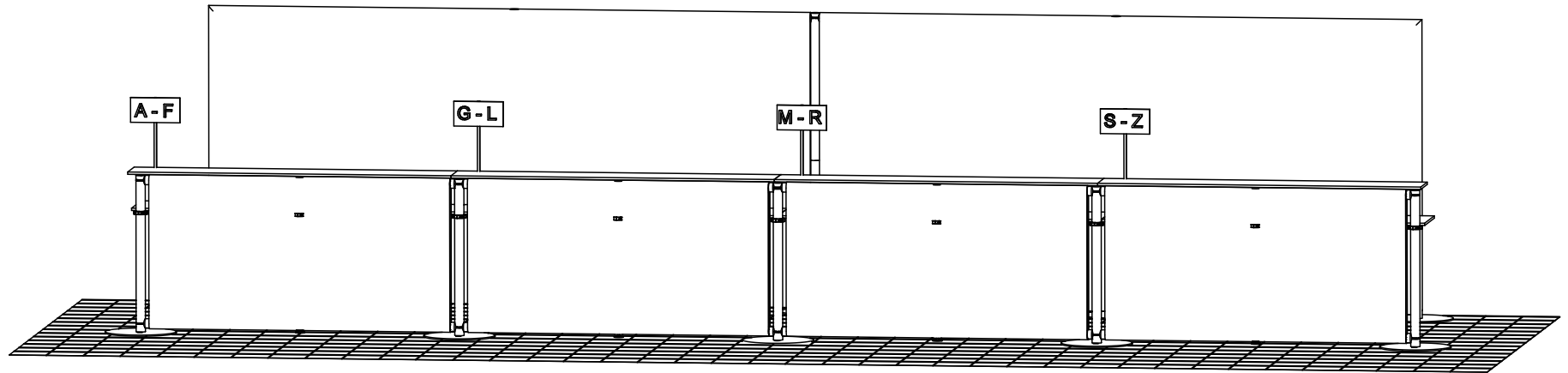


Skyline

Tag Name: Target	Dist. #	Project	Rev #	ActRep/Pm	Drawn By: bcb
	452	p	b	dxl	
ID/Order #: 325248	Rep. / Mgr.:			Date: 4/12/2005 9:15 AM	

©2004 Skyline Exhibits

GRID SIZE: 10' x 20'

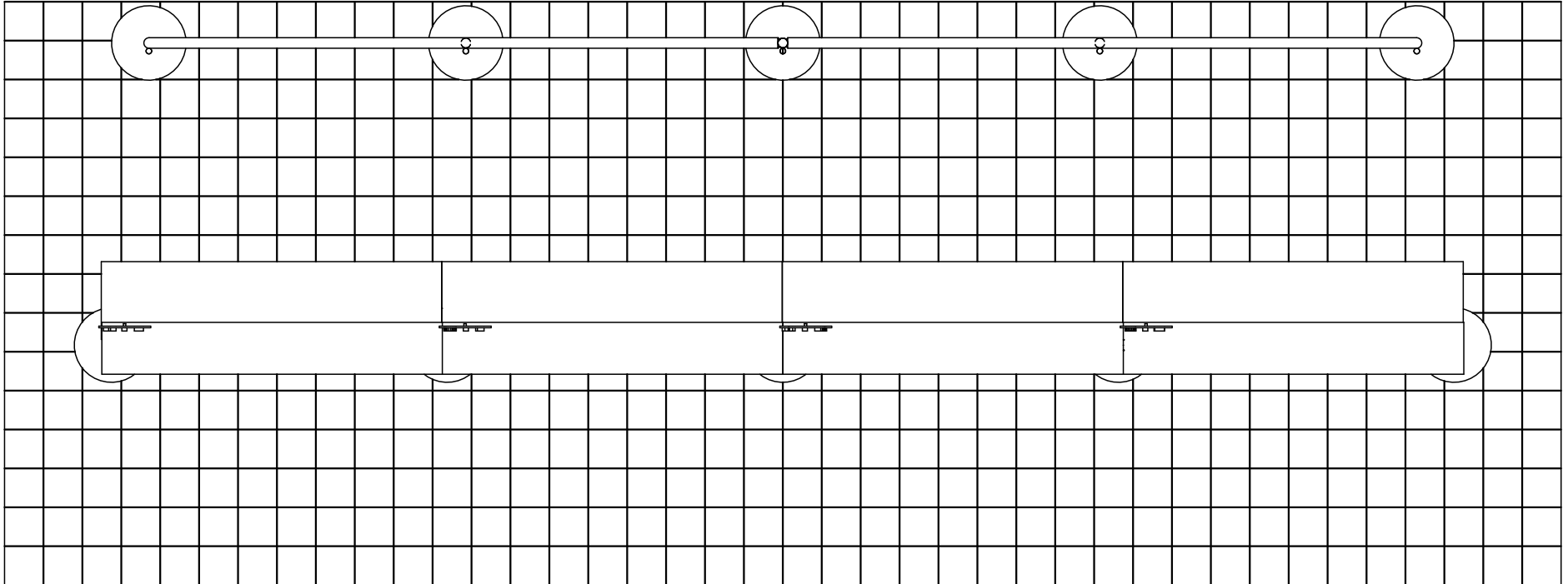


Skyline

©2004 Skyline Exhibits

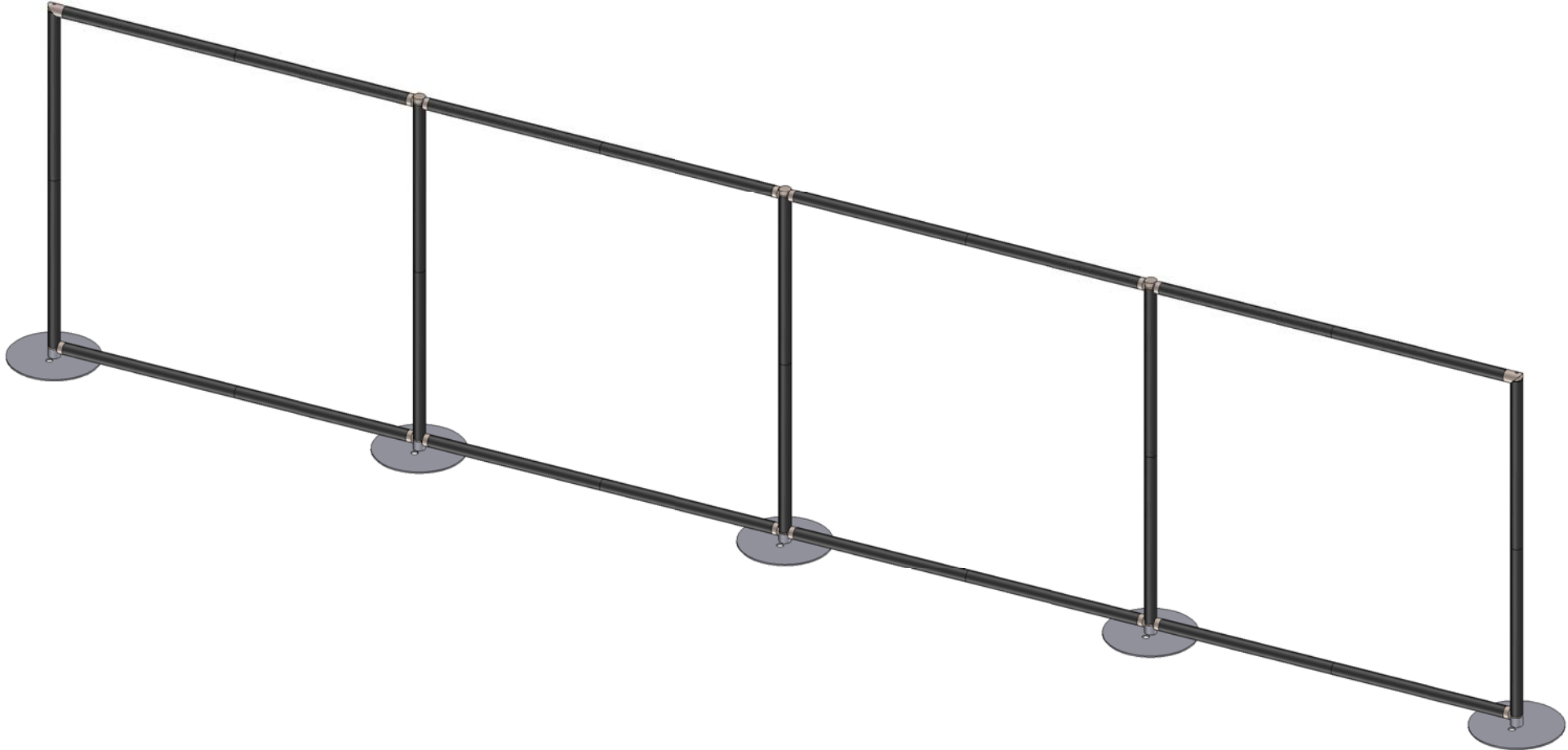
Tag Name: Target	Dist. #	Project	Rev #	ActRep/Pm	Drawn By: bcb
	452	p	b	dx	
ID/Order #: 325248	Rep. / Mgr.:			Date: 4/12/2005 9:15 AM	

GRID SIZE: 10' x 20'



©2004 Skyline Exhibits

Tag Name: Target	Dist. #	Project	Rev #	ActRep/Pm	Drawn By: bcb
	452	p	b	dx	
ID/Order #: 325248	Rep. / Mgr.:			Date: 4/12/2005 9:15 AM	

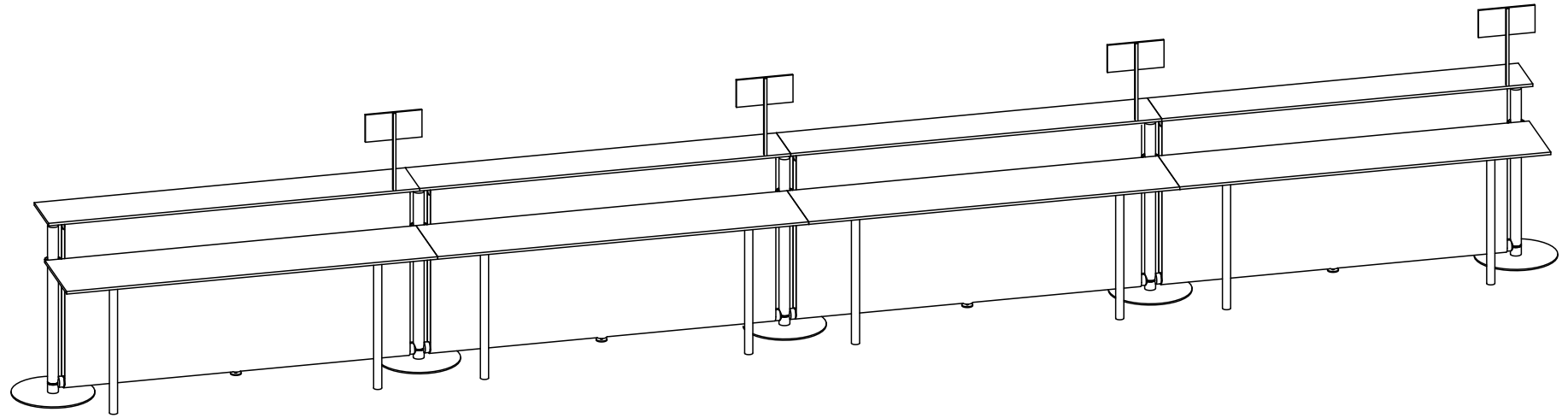


Skyline®

©2004 Skyline Exhibits

Tag Name: Target	Dist. #	Project	Rev #	ActRep/Pm	Drawn By: bcb
	452	p	b	dxd	
ID/Order #: 325248	Rep. / Mgr.:			Date: 4/12/2005 9:15 AM	

GRID SIZE: 10' x 20'



Skyline

©2004 Skyline Exhibits

Tag Name: Target	Dist. #	Project	Rev #	ActRep/Pm	Drawn By: bcb
	452	p	b	dx	
ID/Order #: 325248	Rep. / Mgr.:				Date: 4/12/2005 9:15 AM

GRID SIZE: 10' x 20'

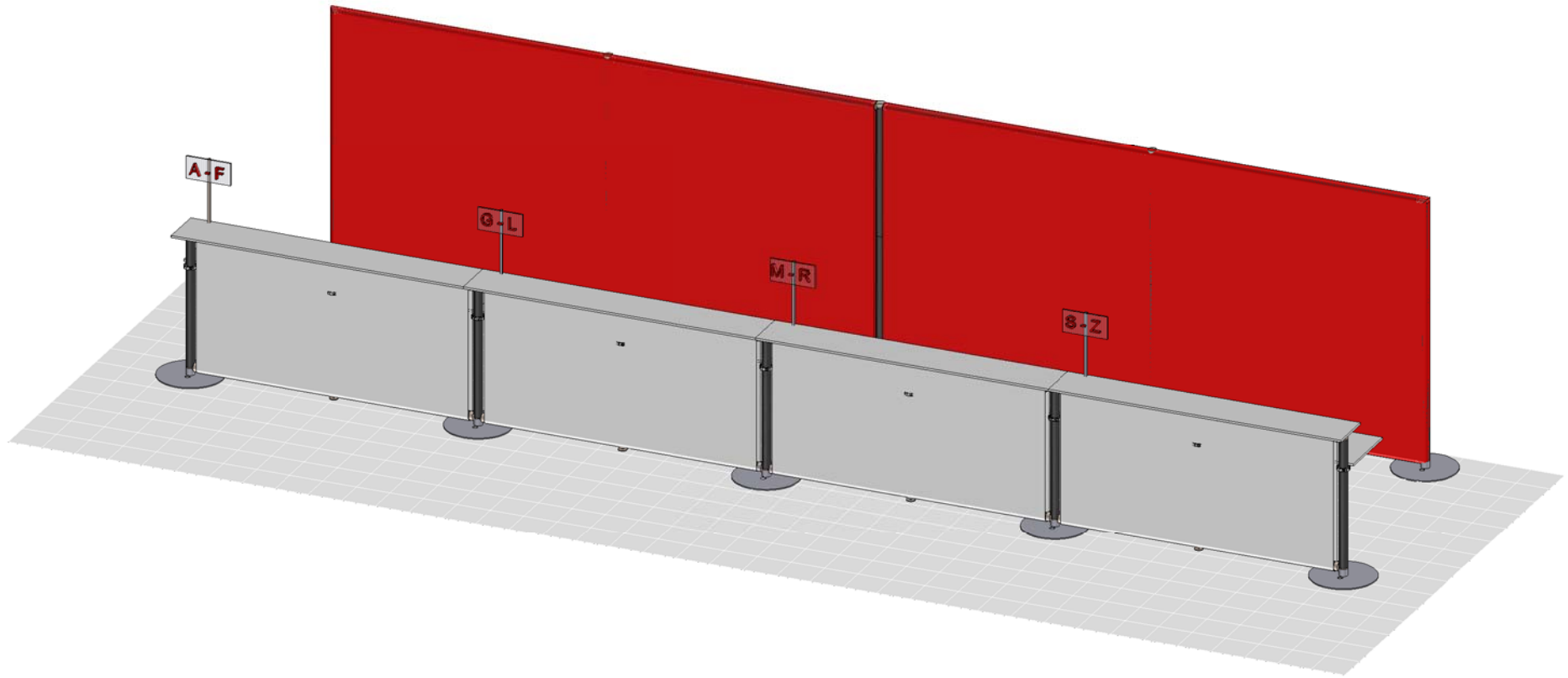


Skyline[®]

©2004 Skyline Exhibits

Tag Name: Target	Dist. #	Project	Rev #	ActRep/Pm	Drawn By: bcb
	452	p	b	dxd	
ID/Order #: 325248	Rep. / Mgr.:			Date: 4/12/2005 9:15 AM	

GRID SIZE: 10' x 20'



Skyline[®]

©2004 Skyline Exhibits

Tag Name: Target	Dist. #	Project	Rev #	ActRep/Pm	Drawn By: bcb
	452	p	b	dxd	
ID/Order #: 325248	Rep. / Mgr.:			Date: 4/12/2005 9:15 AM	